

VRT2556T – eDP 30pin LCD Panel Controller HDMI

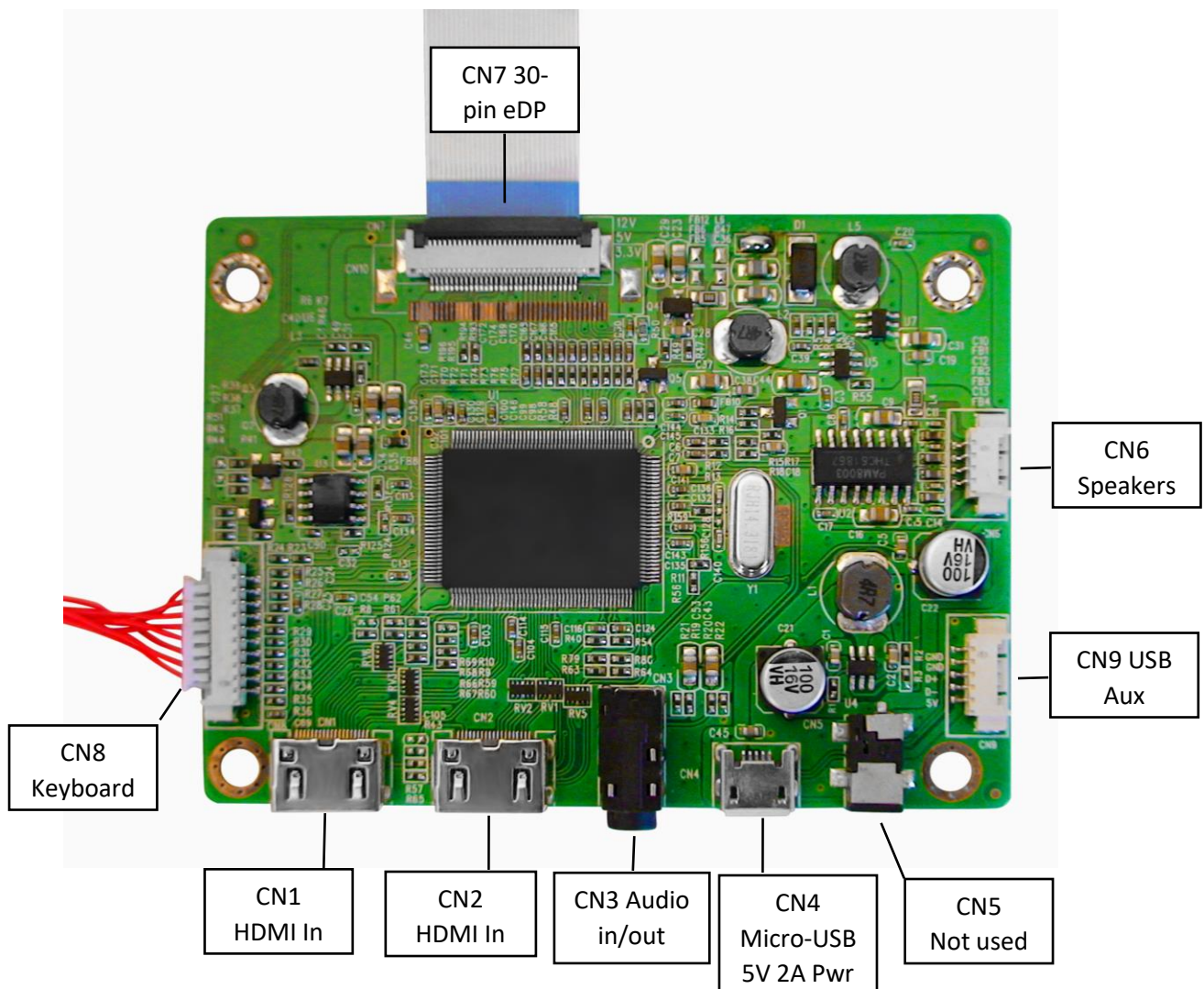
Getting Started

Connect up the controller as follows, using the connectors diagram below:

- Connect the keyboard to the controller (CN8)
IMPORTANT: The connector at the controller end may be smaller than the socket it goes into. Plug it in to the middle pins (see the photo below)
- Connect the 30-pin eDP cable to your LCD Panel (CN7). To connect it to the board, carefully lift the socket's dark grey clip upward, put the flat end of the cable into the socket with the silver coloured contacts facing downward. Make sure it's all the way in and sitting flat before closing the clip
- Connect a video source to one of the Mini-HDMI input connectors (CN1/CN2)
- Plug a USB charger (preferably 2A) to the Micro-USB connector (CN4)
- Power everything up

That's it. You can use the front-panel keyboard to choose the input and adjust display settings (it should already be connected to CN8).

Connectors



CN1/CN2 HDMI In (Mini-HDMI)

These are the HDMI video inputs.

CN3 Audio In / Headphone Out (PJ-358 5P 3.5mm headphone jack)

Analog audio in, or headphones out.

CN4 Micro-USB

Connect this to a 5V 2A power source (e.g., a USB charger) to power the controller.

CN5 Unused (2.0mm Barrel Connector)

NOTE: Requires board modification to be used for power input.

CN6 Speakers (PicoBlade 1.25mm pitch 4-pin)

2.5W/channel with 4Ω speakers; 1.65W/channel at 8Ω

Pinout

Pin #	Description
1	Left speaker -ve
2	Left speaker +ve
3	Right speaker +ve
4	Reight speaker -ve

CN7 30-pin eDP (SMD 0.5mm 30pin FFC)

Connect to 30-pin eDP LCD Panel.

CN8 Keyboard (PicoBlade 1.25mm pitch 10-pin)

Connects to the front panel keyboard

CN9 Aux USB (PicoBlade 1.25mm pitch 5-pin)

Connects straight to the Micro-USB connector (CN4)

Pinout

Pin #	Description
1	5V
2	USB data-
3	USB data+
4	Ground
5	Ground